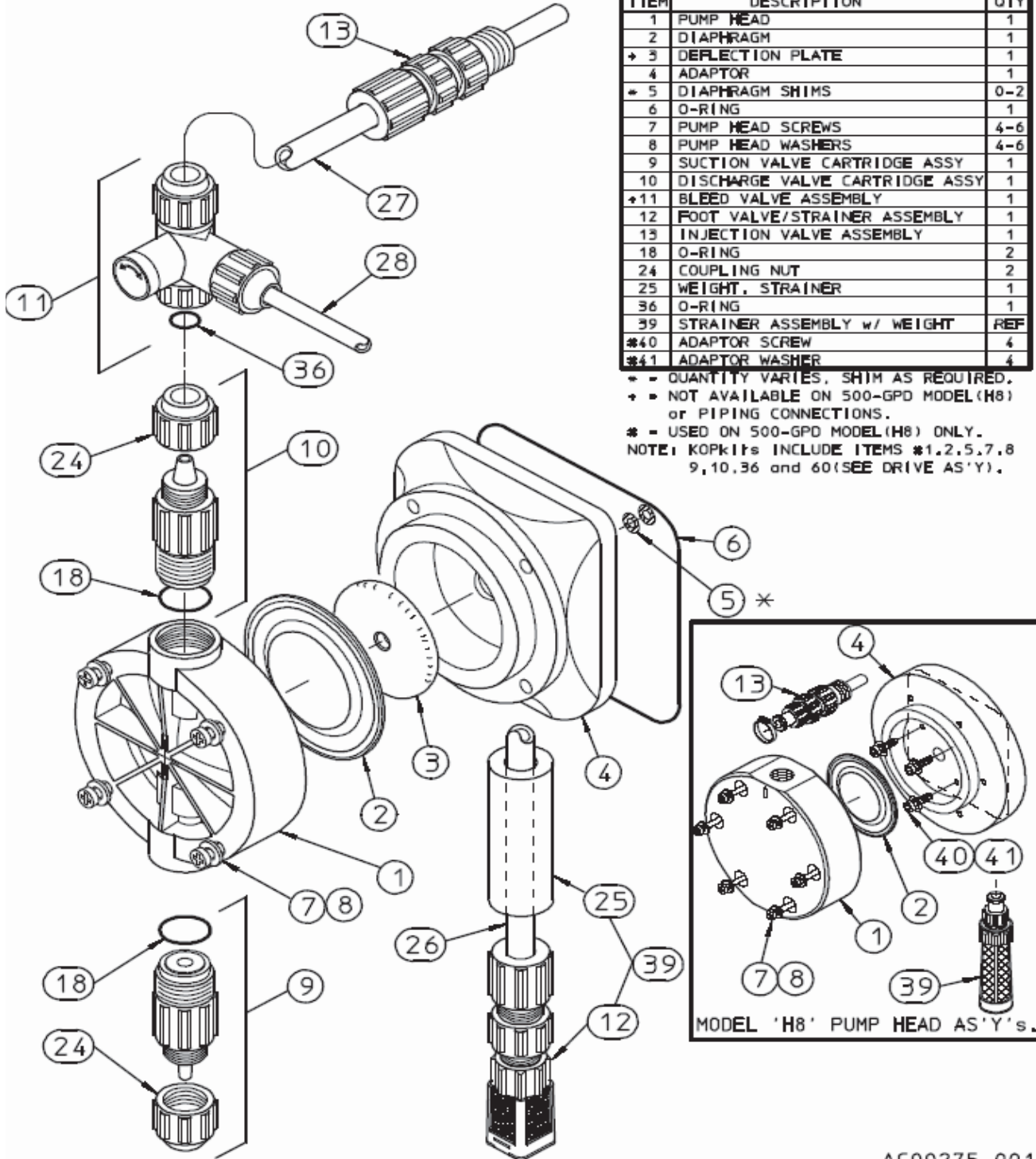


SERIES MP, E PLUS, HV AND SERIES E WETTED COMPONENT ASSEMBLIES PARTS IDENTIFICATION

ITEM	DESCRIPTION	QTY
1	PUMP HEAD	1
2	DIAPHRAGM	1
+ 3	DEFLECTION PLATE	1
4	ADAPTOR	1
+ 5	DIAPHRAGM SHIMS	0-2
6	O-RING	1
7	PUMP HEAD SCREWS	4-6
8	PUMP HEAD WASHERS	4-6
9	SUCTION VALVE CARTRIDGE ASSY	1
10	DISCHARGE VALVE CARTRIDGE ASSY	1
+ 11	BLEED VALVE ASSEMBLY	1
12	FOOT VALVE/STRAINER ASSEMBLY	1
13	INJECTION VALVE ASSEMBLY	1
18	O-RING	2
24	COUPLING NUT	2
25	WEIGHT, STRAINER	1
36	O-RING	1
39	STRAINER ASSEMBLY w/ WEIGHT	REF
#40	ADAPTOR SCREW	4
#41	ADAPTOR WASHER	4

+ = QUANTITY VARIES, SHIM AS REQUIRED.
 + = NOT AVAILABLE ON 500-GPD MODEL (H8)
 or PIPING CONNECTIONS.
 * = USED ON 500-GPD MODEL (H8) ONLY.
 NOTE: KOPKITs INCLUDE ITEMS #1,2,5,7,8
 9,10,36 and 60 (SEE DRIVE AS'Y).



AC00275.001