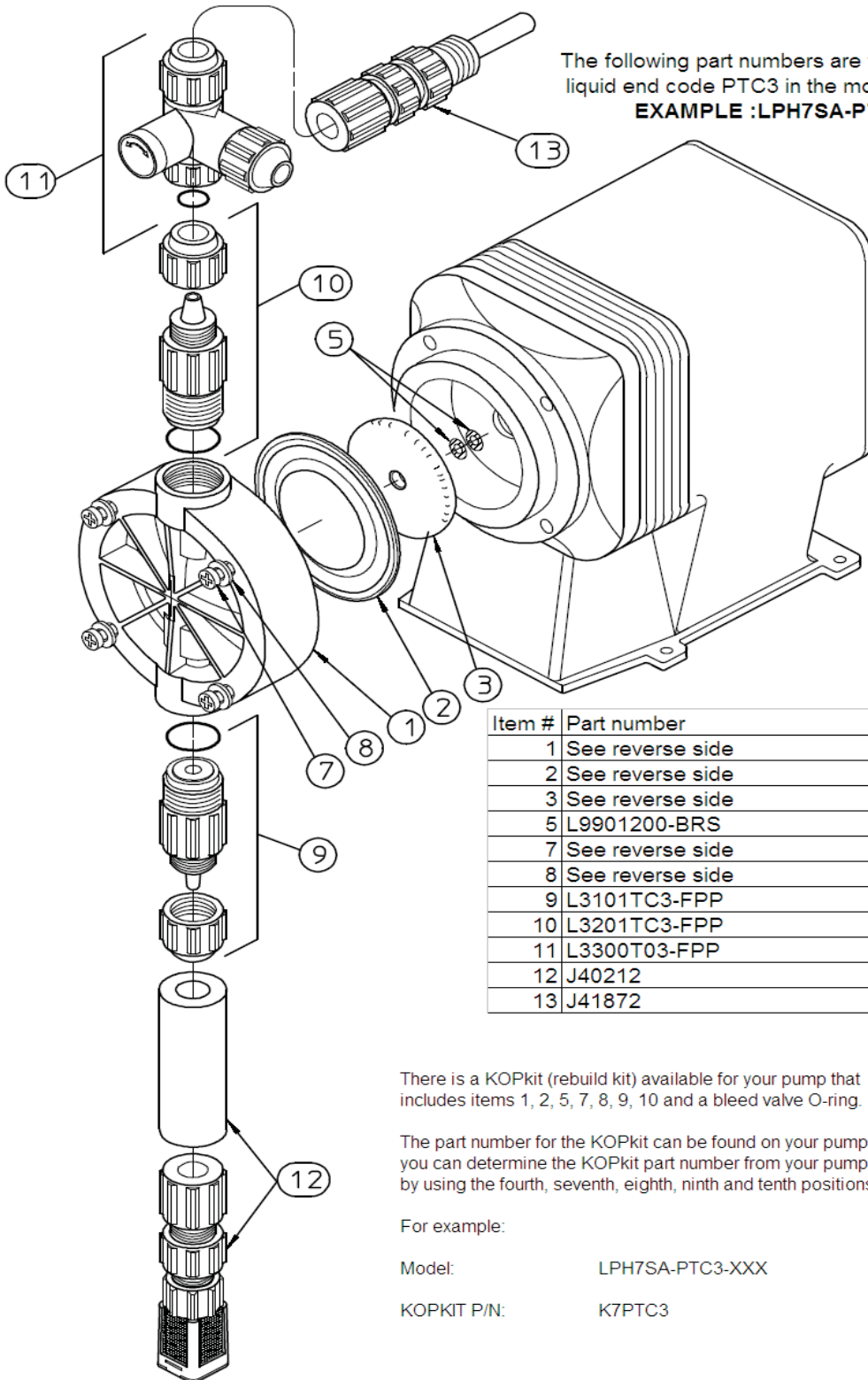


# PTC3 WET END PARTS



The following part numbers are for pump models with liquid end code PTC3 in the model.

**EXAMPLE :LPH7SA-PTC3-XXX**

Item #	Part number	Description
1	See reverse side	Head
2	See reverse side	Diaphragm
3	See reverse side	Deflection plate
5	L9901200-BRS	Shim (0-2 required)
7	See reverse side	Washers
8	See reverse side	Head bolts
9	L3101TC3-FPP	Suction valve
10	L3201TC3-FPP	Discharge Valve
11	L3300T03-FPP	Bleed Valve
12	J40212	Foot Valve/Strainer
13	J41872	Injection Valve

There is a KOPkit (rebuild kit) available for your pump that includes items 1, 2, 5, 7, 8, 9, 10 and a bleed valve O-ring.

The part number for the KOPkit can be found on your pumps data label, or you can determine the KOPkit part number from your pump model number by using the fourth, seventh, eighth, ninth and tenth positions of the model string.

For example:

Model: LPH7SA-PTC3-XXX

KOPKIT P/N: K7PTC3

AC00381.001  
11-J-04  
1:3