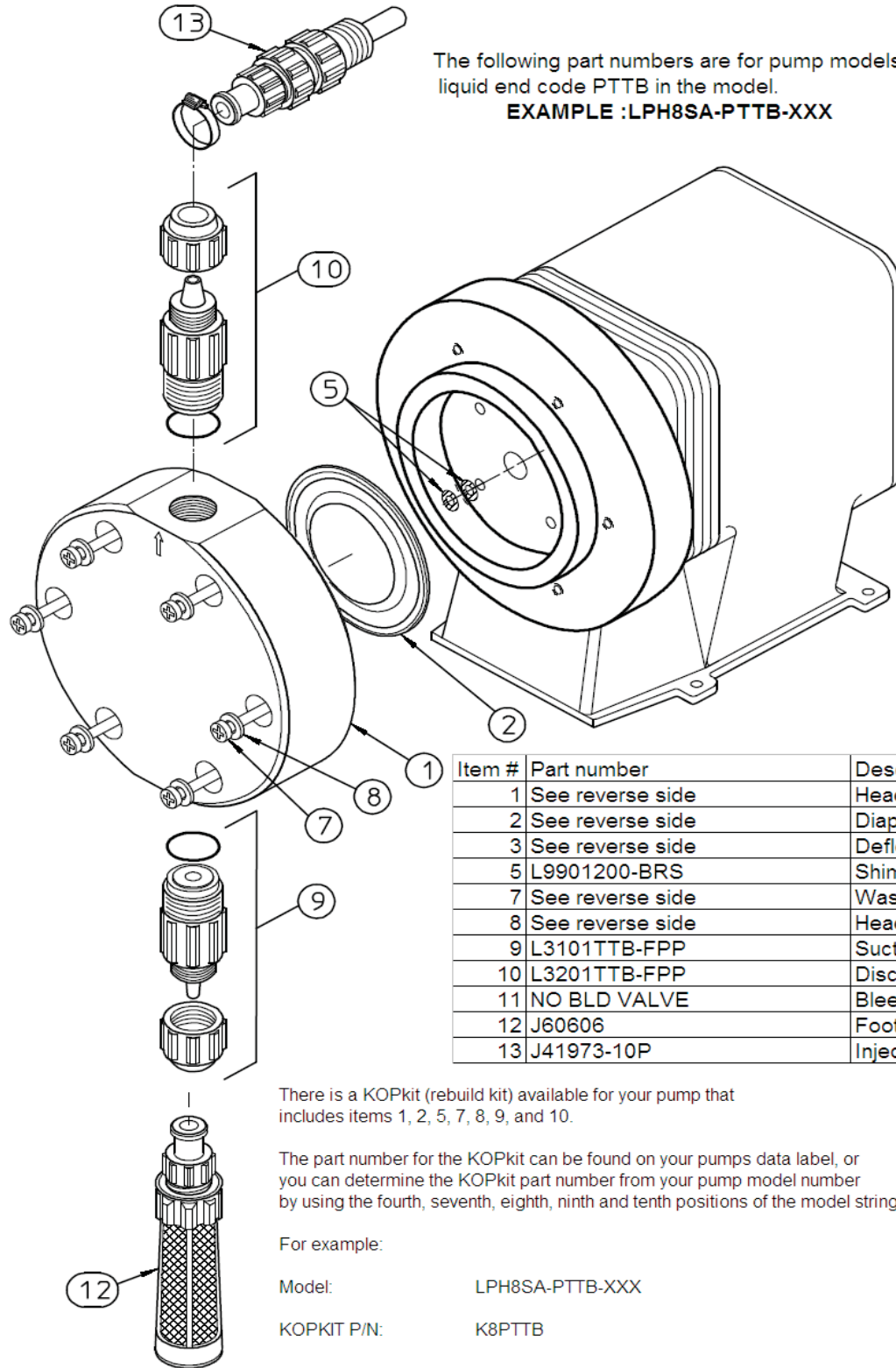


PTTB WET END PARTS



The following part numbers are for pump models with liquid end code PTTB in the model.
EXAMPLE :LPH8SA-PTTB-XXX

Item #	Part number	Description
1	See reverse side	Head
2	See reverse side	Diaphragm
3	See reverse side	Deflection plate
5	L9901200-BRS	Shim (0-2 required)
7	See reverse side	Washers
8	See reverse side	Head bolts
9	L3101TTB-FPP	Suction valve
10	L3201TTB-FPP	Discharge Valve
11	NO BLD VALVE	Bleed Valve
12	J60606	Foot Valve/Strainer
13	J41973-10P	Injection Valve

There is a KOPkit (rebuild kit) available for your pump that includes items 1, 2, 5, 7, 8, 9, and 10.

The part number for the KOPkit can be found on your pumps data label, or you can determine the KOPkit part number from your pump model number by using the fourth, seventh, eighth, ninth and tenth positions of the model string.

For example:

Model: LPH8SA-PTTB-XXX

KOPKIT P/N: K8PTTB

AC00382.001
 27-J-04
 1:3

PART NUMBER	QTY	DESCRIPTION
ITEM NO. 1: PUMP HEAD (PPL)		
L0200800-PPL	1	
ITEM NO. 2: DIAPHRAGM		
L0301600-THY	1	
ITEM NO. 3: DEFLECTION PLATE		
	0	NOT USED ON THESE MODELS
ITEM NO. 7 & 8: PUMP HEAD SCREWS AND WASHERS KIT (CONTAINS BOLTS AND WASHERS)		
L3900400-000	1	
REPLACEMENT FUSES		
L9707300-000	1	E-PLUS SERIES, AND E SERIES PUMPS WITH FUSE HOLDER
L9700700-250	1	SERIES MP PUMP (CIRCUIT BREAKER)