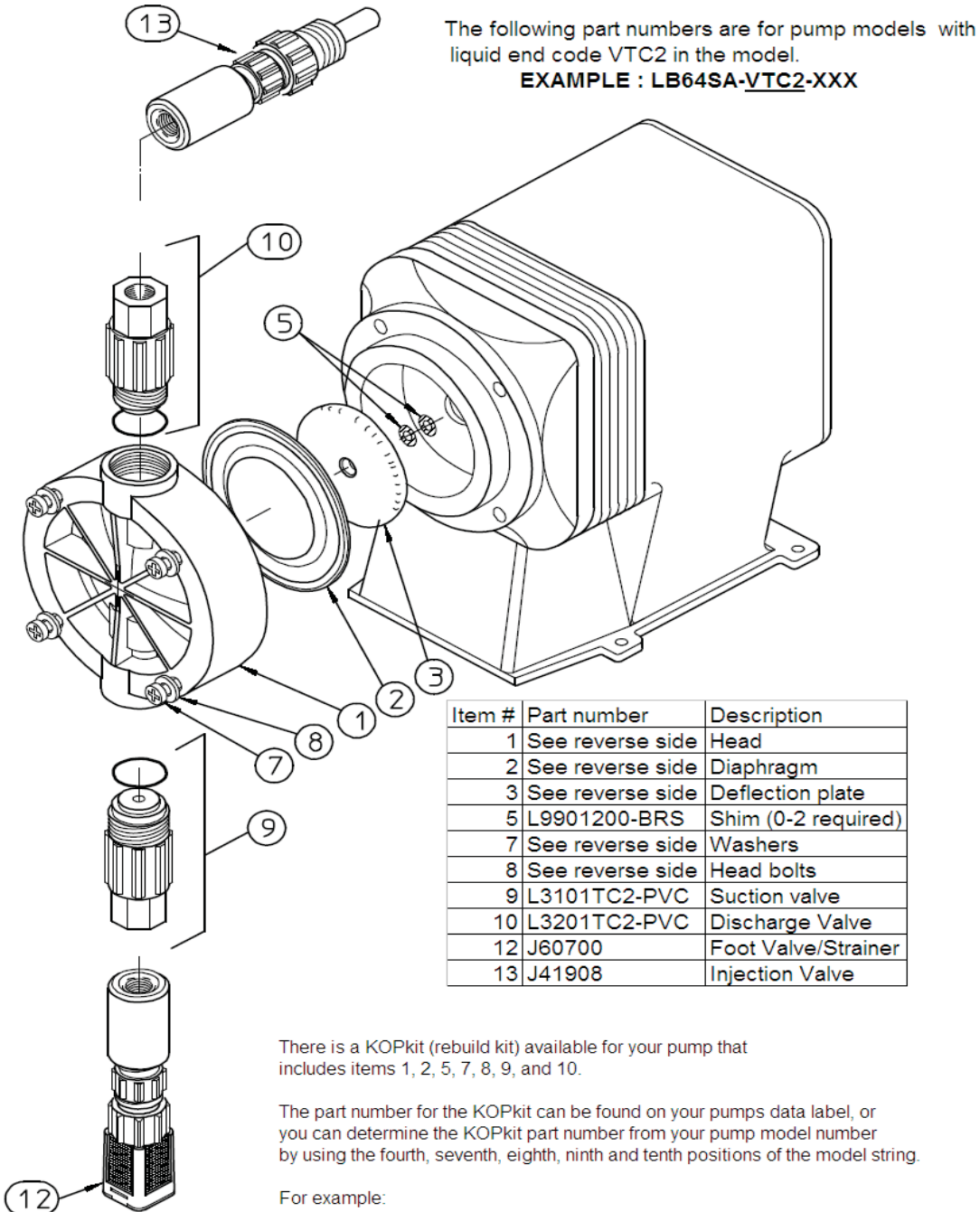


# VTC2 WET END PARTS



Model: LB64SA-VTC2-XXX

KOPKIT P/N: K4VTC2

AC00380.001  
 J-9-04  
 1:3

Use the fourth digit in the model number from your pump to identify the part numbers below

**EXAMPLE MODEL:**

|          |                                      |
|----------|--------------------------------------|
| Position | 1, 2, 3,4, 5, 6 -7, 8, 9,10-11,12,13 |
| Model:   | L B 6 <u>4</u> S A- V T C 2- X X X   |

For example the pump head (ITEM #1) for this pump would be:

P/N L0200400-PVC

| PART NUMBER  | QTY | DESCRIPTION   |
|--|-----|---|
| <b>ITEM NO. 1: PUMP HEAD (PVC)</b>   |     |   |
| L0200900-PVC   | 1   | 2 IN POSITION NUMBER FOUR OF THE MODEL NUMBER                     |
| L0200300-PVC   | 1   | 3 IN POSITION NUMBER FOUR OF THE MODEL NUMBER                     |
| L0200400-PVC   | 1   | 4 IN POSITION NUMBER FOUR OF THE MODEL NUMBER                     |
| <b>ITEM NO. 2: DIAPHRAGM</b>   |     |   |
| L0300900-THY   | 1   | 2 IN POSITION NUMBER FOUR OF THE MODEL NUMBER                     |
| L0301000-THY   | 1   | 3 IN POSITION NUMBER FOUR OF THE MODEL NUMBER                     |
| L0301100-THY   | 1   | 4 IN POSITION NUMBER FOUR OF THE MODEL NUMBER                     |
| <b>ITEM NO. 3: DEFLECTION PLATE</b>  |     |   |
| L2100200-FPP   | 1   | 2 IN POSITION NUMBER FOUR OF THE MODEL NUMBER                     |
| L2100300-FPP   | 1   | 3 IN POSITION NUMBER FOUR OF THE MODEL NUMBER                     |
| L2100400-FPP   | 1   | 4 IN POSITION NUMBER FOUR OF THE MODEL NUMBER                     |
| <b>ITEM NO. 7 &amp; 8: PUMP HEAD SCREWS AND WASHERS KIT (CONTAINS BOLTS AND WASHERS)</b> |     |   |
| L3900200-000   | 1   | 2,3, OR 4 IN POSITION NUMBER FOUR OF THE MODEL NUMBER             |
| <b>REPLACEMENT FUSES</b>   |     |   |
| L9707300-000   | 1   | E-PLUS SERIES, AND E SERIES PUMPS WITH FUSE HOLDER                |
| L9711200-000   | 1   | A -PLUS, C, C-PLUS, AND E SERIES PUMPS WITH PC BOARD MOUNTED FUSE |
| L9704700-000   | 1   | SERIES E-DC PUMPS   |
| L9700700-250   | 1   | SERIES MP PUMP (CIRCUIT BREAKER)                                  |