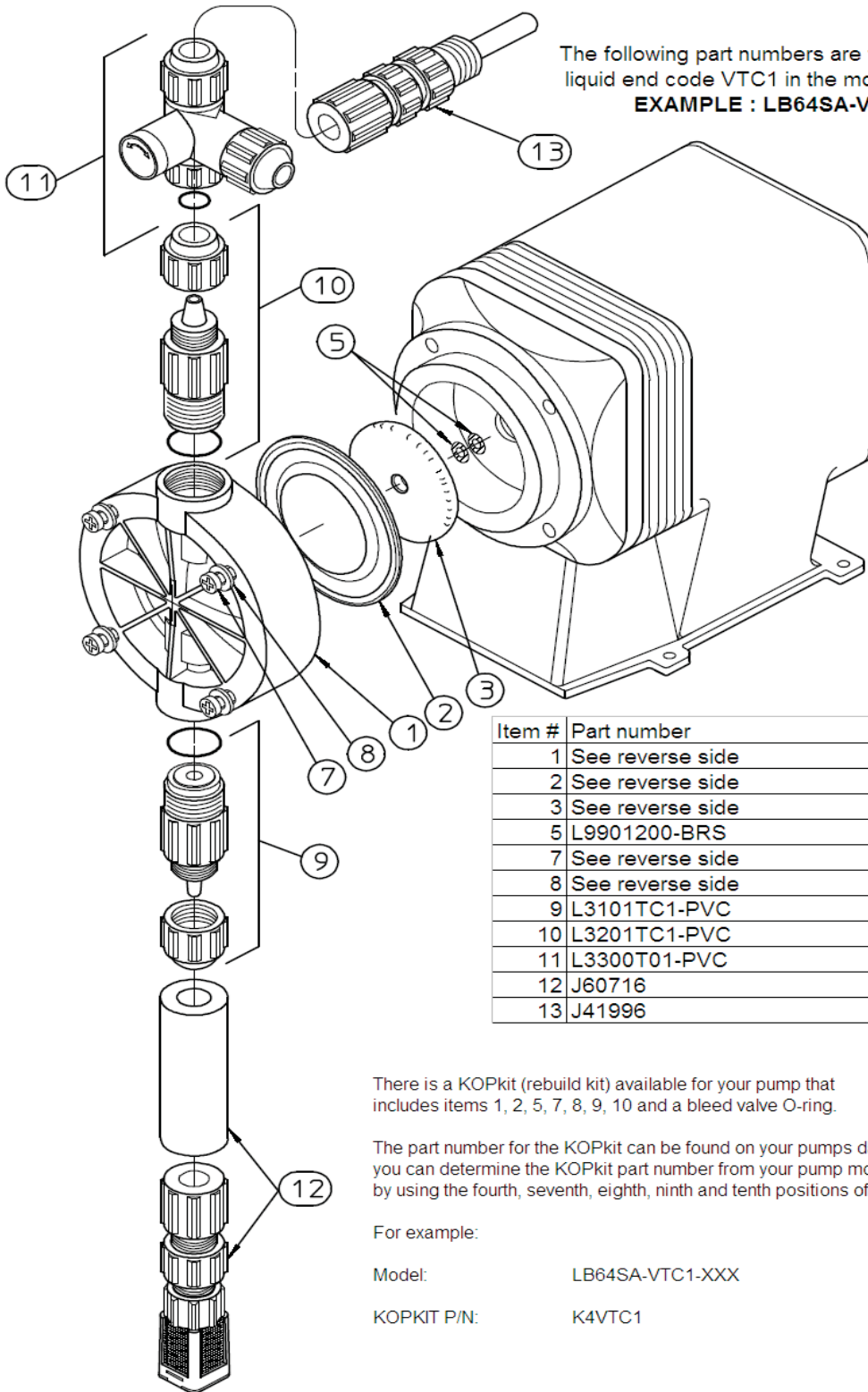


VTC1 WET END PARTS



The following part numbers are for pump models with liquid end code VTC1 in the model.

EXAMPLE : LB64SA-VTC1-XXX

Item #	Part number	Description
1	See reverse side	Head
2	See reverse side	Diaphragm
3	See reverse side	Deflection plate
5	L9901200-BRS	Shim (0-2 required)
7	See reverse side	Washers
8	See reverse side	Head bolts
9	L3101TC1-PVC	Suction valve
10	L3201TC1-PVC	Discharge Valve
11	L3300T01-PVC	Bleed Valve
12	J60716	Foot Valve/Strainer
13	J41996	Injection Valve

There is a KOPkit (rebuild kit) available for your pump that includes items 1, 2, 5, 7, 8, 9, 10 and a bleed valve O-ring.

The part number for the KOPkit can be found on your pumps data label, or you can determine the KOPkit part number from your pump model number by using the fourth, seventh, eighth, ninth and tenth positions of the model string.

For example:

Model: LB64SA-VTC1-XXX

KOPKIT P/N: K4VTC1

AC00381.001
11-J-04
1:3

Use the fourth digit in the model number from your pump to identify the part numbers below

EXAMPLE MODEL:

Position	1, 2, 3,4, 5, 6 -7, 8, 9,10-11,12,13
Model:	L B 6 <u>4</u> S A- V T C 1- X X X

For example the pump head (ITEM #1) for this pump would be:

P/N L0200400-PVC

PART NUMBER	QTY	DESCRIPTION
ITEM NO. 1: PUMP HEAD (PVC)		
L0200900-PVC	1	2 IN POSITION NUMBER FOUR OF THE MODEL NUMBER
L0200300-PVC	1	3 IN POSITION NUMBER FOUR OF THE MODEL NUMBER
L0200400-PVC	1	4 IN POSITION NUMBER FOUR OF THE MODEL NUMBER
ITEM NO. 2: DIAPHRAGM		
L0300900-THY	1	2 IN POSITION NUMBER FOUR OF THE MODEL NUMBER
L0301000-THY	1	3 IN POSITION NUMBER FOUR OF THE MODEL NUMBER
L0301100-THY	1	4 IN POSITION NUMBER FOUR OF THE MODEL NUMBER
ITEM NO. 3: DEFLECTION PLATE		
L2100200-FPP	1	2 IN POSITION NUMBER FOUR OF THE MODEL NUMBER
L2100300-FPP	1	3 IN POSITION NUMBER FOUR OF THE MODEL NUMBER
L2100400-FPP	1	4 IN POSITION NUMBER FOUR OF THE MODEL NUMBER
ITEM NO. 7 & 8: PUMP HEAD SCREWS AND WASHERS KIT (CONTAINS BOLTS AND WASHERS)		
L3900200-000	1	2,3, OR 4 IN POSITION NUMBER FOUR OF THE MODEL NUMBER
REPLACEMENT FUSES		
L9707300-000	1	E-PLUS SERIES, AND E SERIES PUMPS WITH FUSE HOLDER
L9711200-000	1	A -PLUS, C, C-PLUS, AND E SERIES PUMPS WITH PC BOARD MOUNTED FUSE
L9704700-000	1	SERIES E-DC PUMPS
L9700700-250	1	SERIES MP PUMP (CIRCUIT BREAKER)